

Implementation of ask sky 130

Amit Dubey

Shree L.R Tiwari college of engineering

A simple form of ASK modulation is considered that amplitude modulates a carrier based on a direct mapping of the source data bits to the waveform symbol. The most rudimentary form of ASK is given the special name On-Off Keying (OOK) modulation. we are using mux 4:1 as a digital block

1.Circuit Detail

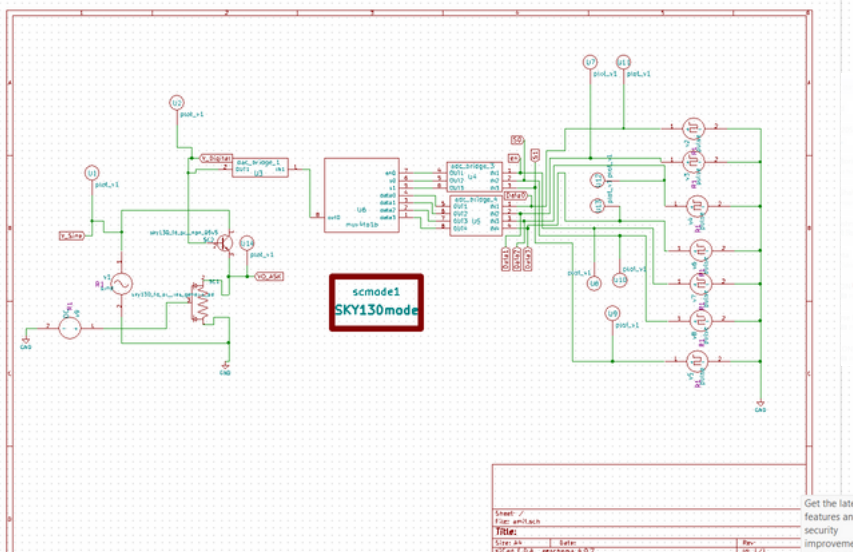


fig 1.ASK

Amplitude shift keying is a form of amplitude modulation which represents digital data as variation in the amplitude of carrier waveform. Its consists of transistor and resistort

Reference

[1] D. O. Budanov, M. M. Pilipko and D. V. Morozov, "Encoders for flash analog-to-digital converters", 2018 IEEE Conference of Russian Young Researchers in Electrical and Electronic Engineering (EIConRus), 2018, pp. 173-177, doi:10.1109/EIConRus.2018.8317058.

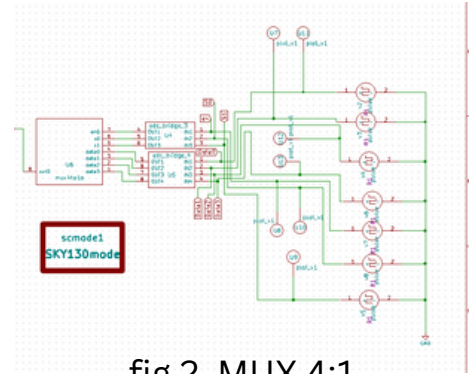


fig 2. MUX 4:1

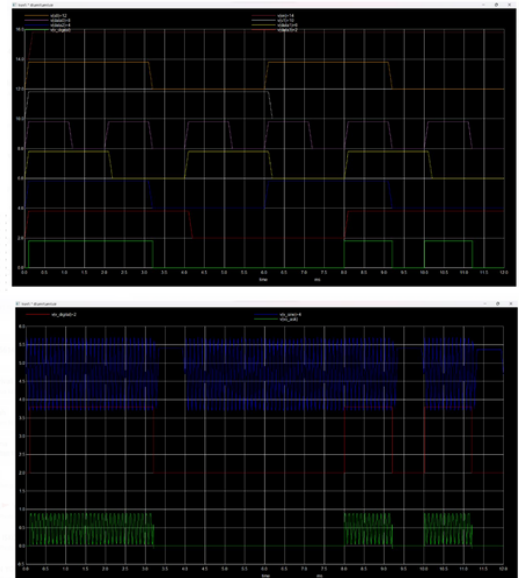


Fig. 3. Reference waveform

[2] Verilog HDL: A Guide to Digital Design and Synthesis, By Samir Palnitkar

3] Abhinav Pandey:-
<https://github.com/abhinav067/Serializer-Design-With-MUX-4-1-And-LVDS-Driver>